

IMPLICITLY RESTARTED ARNOLDI/LANCZOS METHODS FOR LARGE SCALE EIGENVALUE CALCULATIONS

D. C. Sorensen*
Department of Computational and Applied Mathematics
Rice University
Houston, Texas 77251-1829

October 25, 1995

Abstract

This report provides an introductory overview of the numerical solution of large scale algebraic eigenvalue problems. The main focus is on a class of methods called Krylov subspace projection methods. The Lanczos method is the premier member of this class and the Arnoldi method is a generalization to the nonsymmetric case. A recently developed and very promising variant of the Arnoldi/Lanczos scheme called the Implicitly Restarted Arnoldi Method is presented here in detail. This method is highlighted because of its suitability as a basis for software development. It may be viewed as a truncated form of the implicitly shifted QR-algorithm that is appropriate for very large problems. Based on this technique, a public domain software package called ARPACK has been developed in Fortran 77 for finding a few eigenvalues and eigenvectors of large scale symmetric, nonsymmetric, standard or generalized problems. This package has performed well on workstations, parallel-vector supercomputers, distributed memory parallel systems and clusters of workstations. The important features of this package are presented along with a discussion some applications and performance indicators.

AMS classification: Primary 65F15; Secondary 65G05

Key words and phrases: Large scale eigenvalue problems, Arnoldi methods, Lanczos methods, Krylov subspace projection, Implicit restarting,

*This work was supported in part by the National Science Foundation contract ASC-9408795, National Science Foundation cooperative agreement CCR-9120008 and by DARPA through U.S. Army ORA7453.01.

IMPLICITLY RESTARTED ARNOLDI/LANCZOS METHODS FOR LARGE SCALE EIGENVALUE CALCULATIONS

D.C. SORENSEN

Department of Computational and Applied Mathematics

Rice University

P.O. Box 1892

Houston, TX 77251

sorensen@rice.edu

1 Introduction

Eigenvalues and eigenfunctions of linear operators are important to many areas of applied mathematics. The ability to approximate these quantities numerically is becoming increasingly important in a wide variety of applications. This increasing demand has fueled interest in the development of new methods and software for the numerical solution of large scale algebraic eigenvalue problems. In turn, the existence of these new methods and software, along with the dramatically increased computational capabilities now available, has enabled the solution of problems that would not have even been posed five or ten years ago. Until very recently, software for large scale nonsymmetric problems was virtually non-existent. Fortunately, the situation is improving rapidly.

The purpose of this article is to provide an overview of the numerical solution of large scale algebraic eigenvalue problems. The focus will be on a class of methods called Krylov subspace projection methods. The well known Lanczos method is the premier member of this class. The Arnoldi method generalizes the Lanczos method to the non-symmetric case. A recently developed variant of the Arnoldi/Lanczos scheme called the Implicitly Restarted Arnoldi Method [44] is presented here in some depth. This method is highlighted because of its suitability as a basis for software development.

The discussion begins with a brief synopsis of the theory and the basic iterations suitable for large scale problems to motivate the introduction of Krylov subspaces. Then the Lanczos/Arnoldi factorization is introduced along with a discussion of its important approximation properties. Spectral transformations are presented as a means to improve these approximation properties and to enhance convergence of the basic methods. Restarting is introduced as a way to overcome intractable storage and computational requirements in the

original Arnoldi method. Implicit restarting is a new sophisticated variant of restarting. This new technique may be viewed as a truncated form of the powerful implicitly shifted QR technique that is suitable for large scale problems. Implicit restarting provides a means to approximate a few eigenvalues with user specified properties in space proportional to nk where k is the number of eigenvalues sought.

Generalized eigenvalue problems are discussed in some detail. They arise naturally in PDE applications and they have a number of subtleties with respect to numerically stable implementation of spectral transformations.

Software issues and considerations for implementation on vector and parallel computers are introduced in the later sections. Implicit restarting has provided a means to develop very robust and efficient software for a wide variety of large scale eigen-problems. A public domain software package called ARPACK has been developed in Fortran 77. This package has performed well on workstations, parallel-vector supercomputers, distributed memory parallel systems and clusters of workstations. The features of this package along with some applications and performance indicators occupy the final section of this paper.

2 Eigenvalues, Power Iterations, and Spectral Transformations

A brief discussion of the mathematical structure of the eigenvalue problem is necessary to fix notation and introduce ideas that lead to an understanding of the behavior, strengths and limitations of the algorithms. In this discussion, the real and complex number fields are denoted by \mathbf{R} and \mathbf{C} respectively. The standard n -dimensional real and complex vectors are denoted by \mathbf{R}^n and \mathbf{C}^n and the symbols $\mathbf{R}^{m \times n}$ and $\mathbf{C}^{m \times n}$ will denote the real and complex matrices m rows and n columns. Scalars are denoted by lower case Greek letters, vectors are denoted by lower case Latin letters and matrices by capital Latin letters. The transpose of a matrix A is denoted by A^T and the conjugate-transpose by A^H . The symbol, $\|\cdot\|$ will denote the Euclidean or 2-norm of a vector. The standard basis of \mathbf{C}^n is denoted by the set $\{e_j\}_{j=1}^n$.

The set of numbers $\sigma(A) \equiv \{\lambda \in \mathbf{C} : \text{rank}(A - \lambda I) < n\}$ is called the *spectrum* of A . The elements of this discrete set are the *eigenvalues* of A and they may be characterized as the n roots of the *characteristic polynomial* $p_A(\lambda) \equiv \det(\lambda I - A)$. Corresponding to each distinct eigenvalue $\lambda \in \sigma(A)$ is at least one nonzero vector x such that $Ax = x\lambda$. This vector is called a *right eigenvector* of A corresponding to the eigenvalue λ . The pair (x, λ) is called an *eigenpair*. A nonzero vector y such that $y^H A = \lambda y^H$ is called a *left eigenvector*. The multiplicity $n_a(\lambda)$ of λ as a root of the characteristic polynomial is the *algebraic* multiplicity and the dimension $n_g(\lambda)$ of $\text{Null}(\lambda I - A)$ is the *geometric* multiplicity of λ . A matrix is *defective* if $n_g(\lambda) < n_a(\lambda)$ and otherwise A is *non-defective*. The eigenvalue λ is *simple* if $n_a(\lambda) = 1$.

A subspace \mathcal{S} of $\mathbf{C}^{n \times n}$ is called an *invariant subspace* of A if $A\mathcal{S} \subset \mathcal{S}$. It is straightforward to show if $A \in \mathbf{C}^{n \times n}$, $X \in \mathbf{C}^{n \times k}$ and $B \in \mathbf{C}^{k \times k}$ satisfy

$$AX = XB, \tag{1}$$

then $\mathcal{S} \equiv \text{Range}(X)$ is an invariant subspace of A . Moreover, if X has full column rank k then the columns of X form a basis for this subspace and $\sigma(B) \subset \sigma(A)$. If $k = n$ then $\sigma(B) = \sigma(A)$ and A is said to be *similar* to B under the *similarity transformation* X . A is *diagonalizable* if it is similar to a diagonal matrix and this property is equivalent to A being non-defective.

An extremely important theorem to the study of numerical algorithms for eigenproblems is the Schur decomposition. It states that every square matrix is *unitarily similar* to an upper triangular matrix. In other words, for any linear operator on \mathbf{C}^n , there is a unitary basis in which the operator has an upper triangular matrix representation.

Theorem 2.1 (*Schur Decomposition*). *Let $A \in \mathbf{C}^{n \times n}$. Then there is a unitary matrix Q and an upper triangular matrix R such that*

$$AQ = QR. \tag{2}$$

The diagonal elements of R are the eigenvalues of A .

From the Schur decomposition, the fundamental structure of Hermitian and normal matrices is easily exposed:

Lemma 2.2 *A matrix $A \in \mathbf{C}^{n \times n}$ is normal ($AA^H = A^HA$) if and only if $A = Q\Lambda Q^H$ with $Q \in \mathbf{C}^{n \times n}$ unitary and $\Lambda \in \mathbf{C}^{n \times n}$ diagonal. A matrix $A \in \mathbf{C}^{n \times n}$ is Hermitian ($A = A^H$) if and only if $A = Q\Lambda Q^H$ with $Q \in \mathbf{C}^{n \times n}$ unitary and $\Lambda \in \mathbf{R}^{n \times n}$ diagonal. In either case, the diagonal entries of Λ are the eigenvalues of A and the columns of Q are the corresponding eigenvectors.*

The proof follows easily through substitution of the Schur decomposition in place of A in each of the defining relationships. The columns of Q are called Schur vectors in general and these are eigenvectors of A if and only if A is normal.

For purposes of algorithmic development this structure is fundamental. In fact, the well known Implicitly Shifted QR-Algorithm [16] is designed to produce a sequence of unitary similarity transformations Q_j that iteratively reduce A to upper triangular form. This algorithm begins with an initial unitary similarity transformation V of A to the condensed form $AV = VH$ where H is upper Hessenberg (tridiagonal in case $A = A^H$). Then the following iteration is performed:

Algorithm 1: Implicitly Shifted QR-iteration

Input: (A, V, H) with $AV = VH, V^H V = I$, H upper Hessenberg;

For $j = 1, 2, 3, \dots$ until *convergence*,

(a1.1) Select a shift $\mu \leftarrow \mu_j$

(a1.2) Factor $[Q, R] = \text{qr}(H - \mu I)$;

(a1.3) $H \leftarrow Q^H H Q$; $V \leftarrow V Q$;

End_For

where Q is unitary and R is upper triangular (i.e. the QR factorization of $H - \mu I$). It is easy to see that H is unitarily similar to A throughout the course of this iteration. The

iteration is continued until the subdiagonal elements of H converge to zero, i.e. until a Schur decomposition has been (approximately) obtained. In the standard implicitly shifted QR -iteration, the unitary matrix Q is never actually formed. It is computed indirectly as a product of 2×2 Givens or 3×3 Householder transformations through a “bulge chase” process. The elegant details of an efficient and stable implementation would be too much of a digression here. They may be found in [18]. The convergence behavior of this iteration is fascinating. The columns of V converge to Schur vectors at various rates. These rates are fundamentally linked to the simple power method and its rapidly convergent variant, inverse iteration (see [51]).

Despite the extremely fast rate of convergence and the efficient use of storage, the implicitly shifted QR method is not suitable for large scale problems and it has proved to be extremely difficult to parallelize. Large scale problems are typically sparse or structured so that a matrix-vector product $w \leftarrow Av$ may be computed with time and storage proportional to n rather than n^2 . A method based upon full similarity transformations quickly destroys this structure. Storage and operation counts become order n^2 . Hence, there is considerable motivation for methods that only require matrix-vector products with the original A .

2.1 SINGLE VECTOR POWER ITERATIONS

Probably the oldest algorithm for approximating eigenvalues and corresponding eigenvectors of a matrix is the power method. This method is an important tool in its own right when conditions are appropriate. It is very simple and only requires matrix-vector products along with two vectors of storage. In addition to its role as an algorithm, the method is central to the development, understanding, and convergence analysis of all of the iterative methods discussed here.

Algorithm 2: The Power Method

Input: (A, v_o)
 Put $v = v_o / \|v_o\|_\infty$;
 For $j = 1, 2, 3, \dots$ until *convergence*,
 (a2.1) $w \leftarrow Av$;
 (a2.2) $\lambda = \frac{v^H w}{v^H v}$;
 (a2.3) $i = \text{i_max}(w)$;
 (a2.4) $v \leftarrow v / (\epsilon_i^T w)$;
 End_For

At Step (a2.3), i is the index of the element of w with largest absolute value. It is easily seen that the contents of v after k -steps of this iteration will be the vector

$$v_k = \left(\frac{1}{e_i^T A^k v_o} \right) A^k v_o = \left(\frac{\rho_k}{e_i^T A^k v_o} \right) \left(\frac{1}{\rho_k} A^k v_o \right)$$

for any nonzero scalar ρ_k . In particular, this iteration may be analyzed as if the vectors had been scaled by $\rho_k = \lambda_1^k$ at each step, with λ_1 an eigenvalue of A with largest magnitude.

If A is diagonalizable with eigenpairs $\{(x_j, \lambda_j), 1 \leq j \leq n\}$ and v_o has the expansion $v_o = \sum_{j=1}^n x_j \gamma_j$ in this basis then

$$\frac{1}{\lambda_1^k} A^k v_o = \frac{1}{\lambda_1^k} \sum_{j=1}^n A^k x_j \gamma_j = \sum_{j=1}^n x_j (\lambda_j / \lambda_1)^k \gamma_j. \quad (3)$$

If λ_1 is a simple eigenvalue then

$$\left(\frac{\lambda_j}{\lambda_1}\right)^k \rightarrow 0, \quad 2 \leq j \leq n.$$

It follows that $v_k \rightarrow x_1 / (e_i^T x_1)$, where $i = \text{argmax}(x_1)$, at a linear rate with a convergence factor of $|\frac{\lambda_2}{\lambda_1}|$.

While the power method is useful, it has two obvious drawbacks. Convergence may be arbitrarily slow or may not happen at all. Only one eigenvalue and corresponding vector can be found.

2.2 SPECTRAL TRANSFORMATIONS

The basic power iteration may be modified to overcome these difficulties. The most fundamental modification is to employ a *spectral transformation*. Spectral transformations are generally based upon the following:

Let $A \in \mathbf{C}^{n \times n}$ have an eigenvalue λ with corresponding eigenvector x .

1. Let $p(\tau) = \gamma_0 + \gamma_1 \tau + \gamma_2 \tau^2 + \dots + \gamma_k \tau^k$. Then $p(\lambda)$ is an eigenvalue of the matrix $p(A) = \gamma_0 I + \gamma_1 A + \gamma_2 A^2 + \dots + \gamma_k A^k$ with corresponding eigenvector x (i.e. $p(A)x = x p(\lambda)$).
2. If $r(\tau) = \frac{p(\tau)}{q(\tau)}$ where p and q are polynomials with $q(A)$ nonsingular, define $r(A) = [q(A)]^{-1} p(A)$. Then $r(\lambda)$ is an eigenvalue of $r(A)$ with corresponding eigenvector x .

It is often possible to construct a polynomial or rational function $\phi(\tau)$ such that

$$|\phi(\lambda_i)| \ll |\phi(\lambda_j)| \quad \text{for } 1 \leq j \leq n, \quad j \neq i,$$

where λ_i is an eigenvalue of particular interest. This is called a spectral transformation since the eigenvectors of the transformed matrix $\phi(A)$ remain the same, but the corresponding eigenvalues λ_j are transformed to $\phi(\lambda_j)$. Applying the power method with $\phi(A)$ in place of A will then produce the eigenvector $q \equiv x_i$ corresponding to λ_i at a linear convergence rate with a convergence factor of $|\frac{\phi(\lambda_j)}{\phi(\lambda_i)}| \ll 1$. Once the eigenvector has been found, the eigenvalue $\lambda \equiv \lambda_i$ may be calculated directly from a Rayleigh quotient $\lambda = q^H A q / q^H q$.

2.3 INVERSE ITERATION

Spectral transformation can lead to dramatic enhancement of the convergence of the power method. Polynomial transformations may be applied using only matrix-vector products.

Rational transformations require the solution of linear systems with the transformed matrix as the coefficient matrix. The simplest rational transformation turns out to be very powerful and is almost exclusively used for this purpose. If $\mu \notin \sigma(A)$ then $A - \mu I$ is invertible and $\sigma([A - \mu I]^{-1}) = \{1/(\lambda - \mu) : \lambda \in \sigma(A)\}$. This transformation is very successful since eigenvalues near the shift μ are transformed to extremal eigenvalues which are well separated from the other ones while the original extremal eigenvalues are transformed near the origin. Hence under this transformation the eigenvector q corresponding to the eigenvalue of A that is closest to μ may be readily found and the corresponding eigenvalue may be obtained either through the formula $\lambda = \theta + 1/\mu$, where θ is the eigenvalue of the transformed matrix, or it may be calculated directly from a Rayleigh quotient.

Algorithm 3: The Inverse Power Method

Input: (A, v_o, μ)
 Put $v = v_o / \|v_o\|_\infty$;
 For $j = 1, 2, 3, \dots$ until *convergence*,
 (a3.1) Solve $(A - \mu I)w = v$;
 (a3.2) $\lambda = \mu + \frac{v^H w}{w^H w}$;
 (a3.3) $i = \text{i_max}(w)$;
 (a3.4) $v \leftarrow v / (\epsilon_i^T w)$;
 End_For

Observe that the formula for λ at Step (a3.2) is equivalent to forming $\lambda = (w^H A w) / (w^H w)$ so an additional matrix vector product is not necessary to obtain the Rayleigh quotient estimate. The analysis of convergence remains entirely in tact. This iteration converges linearly with the convergence factor

$$\frac{|\lambda_1 - \mu|}{|\lambda_2 - \mu|}$$

where the eigenvalues of A have been re-indexed so that $|\lambda_1 - \mu| < |\lambda_2 - \mu| \leq |\lambda_3 - \mu| \leq \dots \leq |\lambda_n - \mu|$. Hence, the convergence becomes faster as μ gets closer to λ_1 .

This result is encouraging but still leaves us wondering how to select the shift μ to be close to the unknown eigenvalue we are trying to compute. In many applications the choice is apparent from the requirements of the problem. It is also possible to change the shift at each iteration at the expense of a new matrix factorization at each step. An obvious choice would be to replace the shift with the current Rayleigh quotient estimate. This method, called Rayleigh Quotient Iteration, has very impressive convergence rates indeed. Rayleigh Quotient Iteration converges at a quadratic rate in general and at a cubic rate on Hermitian problems. For a more detailed discussion of the eigenvalue problem and basic algorithms see [52, 46, 18].

3 Krylov Subspaces and Projection Methods

Although the rate of convergence can be improved to an acceptable level through spectral transformations, power iterations are only able to find one eigenvector at a time. If more vectors are sought, then various deflation techniques (such as orthogonalizing against previously converged eigenvectors) and shift strategies must be introduced. One alternative is to introduce a block form of the simple power method which is often called subspace iteration. This important class of algorithms has been developed and investigated in [46]. Several software efforts have been based upon this approach [3, 47, 12]. However, there is another class of algorithms called Krylov subspace projection methods that are based upon the intricate structure of the sequence of vectors naturally produced by the power method.

An examination of the behavior of the power sequence as exposed in equation (3) hints that the successive vectors produced by a power iteration may contain considerable information along eigenvector directions corresponding to eigenvalues other than the one with largest magnitude. The expansion coefficients of the vectors in the power sequence evolve in a very structured way. Therefore, linear combinations of these vectors might well be devised to expose additional eigenvectors. A single vector power iteration simply ignores this additional information, but more sophisticated techniques may be employed to extract it.

If one hopes to obtain additional information through various linear combinations of the power sequence, it is natural to formally consider the *Krylov* subspace

$$\mathcal{K}_k(A, v_1) = \text{Span} \{v_1, Av_1, A^2v_1, \dots, A^{k-1}v_1\}$$

and to attempt to formulate the best possible approximations to eigenvectors from this subspace.

It is reasonable to construct approximate eigenpairs from this subspace by imposing a Galerkin condition: A vector $x \in \mathcal{K}_k(A, v_1)$ is called a *Ritz vector* with corresponding *Ritz value* θ if the Galerkin condition

$$\langle w, Ax - x\theta \rangle = 0, \quad \text{for all } w \in \mathcal{K}_k(A, v_1)$$

is satisfied. There are some immediate consequences of this definition: Let W be a matrix whose columns form an orthonormal basis for $\mathcal{K}_k \equiv \mathcal{K}_k(A, v_1)$. Let $\mathcal{P} = WW^H$ denote the related orthogonal projector onto \mathcal{K}_k and define $\hat{A} \equiv \mathcal{P}A\mathcal{P} = WBW^H$ where $B \equiv W^HAW$. It can be shown that

Lemma 3.1 *For the quantities defined above:*

1. (x, θ) is a Ritz-pair if and only if $x = Wy$ with $By = y\theta$.
2. $\|(I - \mathcal{P})AW\| = \|(A - \hat{A})W\| \leq \|(A - M)W\|$
for all $M \in \mathbf{C}^{n \times n}$ such that $M\mathcal{K}_k \subset \mathcal{K}_k$.
3. The Ritz-pairs (x, θ) and the minimum value $\|(I - \mathcal{P})AW\|$ are independent of the choice of orthonormal basis W .

Item (1) follows immediately from the Galerkin condition since it implies that $0 = W^H(AWy -$

$Wy\theta) = By - y\theta$. Item (2) is easily shown using invariance of $\|\cdot\|$ under unitary transformations. Item (3) follows from the fact that V is an orthonormal basis for \mathcal{K}_k if and only if $V = WQ$ for some $k \times k$ unitary matrix Q . With this change of basis $\hat{A} = VHV^H$, where $H = V^H AV = Q^H BQ$. Since H is unitarily similar to B , the Ritz-values remain the same and the Ritz-vectors are of the form $x = Wy = V\hat{y}$ where $\hat{y} = Q^H y$.

These facts are actually valid for any k dimensional subspace \mathcal{S} in place of \mathcal{K}_k . The following properties are consequences of the fact that every $w \in \mathcal{K}_k$ is of the form $w = \phi(A)v_1$ for some polynomial ϕ of degree less than k .

Lemma 3.2 *For the quantities defined above:*

1. *If q is a polynomial of degree less than k then*

$$q(A)v_1 = q(\hat{A})v_1 = Wq(B)z_1$$

where $v_1 = Wz_1$, and if degree of q is k then

$$\mathcal{P}q(A)v_1 = q(\hat{A})v_1.$$

2. *If $\hat{p}(\lambda) \equiv \det(\lambda I - B)$ is the characteristic polynomial of B then $\hat{p}(\hat{A}) = 0$ and $\|\hat{p}(A)v_1\| \leq \|q(A)v_1\|$ for all monic polynomials of degree k .*
3. *If y is any vector in \mathbf{C}^k then $AWy - WBy = \gamma\hat{p}(A)v_1$ for some scalar γ .*
4. *If (x, θ) is any Ritz-pair for A with respect to \mathcal{K}_k then*

$$Ax - x\theta = \gamma\hat{p}(A)v_1$$

for some scalar γ .

This discussion follows the treatment given by Saad in [40] and in his earlier papers. While these facts may seem esoteric, they have important algorithmic consequences. First, it should be noted that \mathcal{K}_k is an invariant subspace for A if and only if $v_1 = Vy$, where $AV = VR$ with $V^H V = I_k$ and R is $k \times k$ upper triangular. Also, \mathcal{K}_k is an invariant subspace for A if $v_1 = Xy$, where $X \in \mathbf{C}^{n \times k}$ and $AX = X\Lambda$ with Λ diagonal. This follows from items (2) and (3) since there is a k degree monic polynomial q such that $q(R) = 0$ and hence $\|\hat{p}(A)v_1\| \leq \|q(A)v_1\| = \|Vq(R)y\| = 0$ (A similar argument holds when $v_1 = Xy$).

Secondly, there is some algorithmic motivation to seek a convenient orthonormal basis $V = WQ$ that will provide a means to successively construct these basis vectors. It is possible to construct a $k \times k$ unitary Q using standard Householder transformations such that $v_1 = Ve_1$ and $H = Q^H BQ$ is upper Hessenberg with non-negative subdiagonal elements. It is also possible to show using item (3) that in this basis,

$$AV = VH + fe_k^T, \quad \text{where } f = \gamma\hat{p}(A)v_1$$

and $V^H f = 0$ follows from the Galerkin condition.

The first observation shows that if it is possible to obtain a v_1 as a linear combination of k eigenvectors of A then $f = 0$ and V is an orthonormal basis for an invariant subspace of A and that the Ritz values $\sigma(H) \subset \sigma(A)$ and corresponding Ritz vectors are eigenpairs for A . The second observation leads to the Lanczos/Arnoldi process [23, 1].

4 The Arnoldi Factorization

Definition : If $A \in \mathbf{C}^{n \times n}$ then a relation of the form

$$AV_k = V_k H_k + f_k e_k^T$$

where $V_k \in \mathbf{C}^{n \times k}$ has orthonormal columns, $V_k^H f_k = 0$ and $H_k \in \mathbf{C}^{k \times k}$ is upper Hessenberg with non-negative subdiagonal elements is called a k -step *Arnoldi Factorization* of A . If A is Hermitian then H_k is real, symmetric and tridiagonal and the relation is called a k -step *Lanczos Factorization* of A . The columns of V_k are referred to as the *Arnoldi vectors* or *Lanczos vectors* respectively.

The development of this factorization has been purely through the consequences of the orthogonal projection imposed by the Galerkin conditions. A more straightforward but less illuminating derivation is to simply truncate the reduction of A to Hessenberg form that precedes the implicitly shifted QR-iteration by equating the first k columns on both sides of the complete reduction $AV = VH$. An alternative way to write this factorization is

$$AV_k = (V_k, v_{k+1}) \begin{pmatrix} H_k \\ \beta_k e_k^T \end{pmatrix} \quad \text{where } \beta_k = \|f_k\| \quad \text{and } v_{k+1} = \frac{1}{\beta_k} f_k .$$

This factorization may be used to obtain approximate solutions to a linear system $Ax = b$ if $b = v_1 \beta_o$ and this underlies the GMRES method [41]. However, the purpose here is to investigate the use of this factorization to obtain approximate eigenvalues and eigenvectors. The discussion of the previous section implies that Ritz pairs satisfying the Galerkin condition are immediately available from the eigenpairs of the small projected matrix H .

If $H_k y = y \theta$ then the vector $x = V_k y$ satisfies

$$\|Ax - x\theta\| = \|(AV_k - V_k H_k)y\| = |\beta_k e_k^T y|.$$

The number $|\beta_k e_k^T y|$ is called the *Ritz estimate* for this the Ritz pair (x, θ) as an approximate eigenpair for A . Observe that if (x, θ) is a Ritz pair then

$$\theta = y^H H_k y = (V_k y)^H A (V_k y) = x^H A x$$

is a Rayleigh Quotient (assuming $\|y\| = 1$) and the associated Rayleigh Quotient residual $r(x) = Ax - x\theta$ satisfies

$$\|r(x)\| = |\beta_k e_k^T y|.$$

When A is Hermitian, this relation may be used to provide computable rigorous bounds on the accuracy of the eigenvalues of H as approximations to eigenvalues of A (see [34]). When A is non-Hermitian the possibility of non-normality precludes such bounds and one can only say that the RQ-residual is small if $|\beta_k e_k^T y|$ is small. However, in either case, if

$f_k = 0$ these the Ritz pairs become exact eigenpairs of A .

This factorization may be advanced one step at the cost of a (sparse) matrix-vector product involving A and two dense matrix vector products involving V_k^T and V_k .

The explicit steps needed to form a k -Step Arnoldi Factorization are:

Algorithm 4: The k -Step Arnoldi Factorization

Input: (A, v)

Put $v_1 = v/\|v\|$; $w = Av_1$; $\alpha_1 = v_1^H w$;

Put $f_1 \leftarrow w - v_1\alpha_1$; $V \leftarrow (v_1)$; $H \leftarrow (\alpha_1)$;

For $j = 1, 2, 3, \dots, k-1$,

$$(a4.1) \beta_j = \|f_j\|; v_{j+1} \leftarrow f_j/\beta_j;$$

$$(a4.2) V_{j+1} \leftarrow (V_j, v_{j+1}); \hat{H}_j \leftarrow \begin{pmatrix} H_j \\ \beta_j e_j^T \end{pmatrix};$$

$$(a4.3) z \leftarrow Av_{j+1};$$

$$(a4.4) h \leftarrow V_{j+1}^T z; f_{j+1} \leftarrow z - V_{j+1}h;$$

$$(a4.5) H_{j+1} \leftarrow (\hat{H}_j, h);$$

End_For

In exact arithmetic, the columns of V form an orthonormal basis for the Krylov subspace and H is the orthogonal projection of A onto this space. In finite precision arithmetic, care must be taken to assure that the computed vectors are orthogonal to working precision. The method proposed by Daniel, Gragg, Kaufman and Stewart (DGKS) in [9] provides an excellent way to construct a vector f_{j+1} that is numerically orthogonal to V_{j+1} . It amounts to computing a correction

$$s = V_{j+1}^T f_{j+1}; f_{j+1} \leftarrow f_{j+1} - V_{j+1}s; h \leftarrow h + s;$$

just after Step (a4.4) if necessary. A simple test can be devised to avoid this DGKS correction if it is not needed.

The dense matrix-vector products at Step (a4.4) and also the correction may be accomplished using Level 2 BLAS. This is quite important for performance on vector, and parallel-vector supercomputers. The BLAS operation `_GEMV` is easily parallelized and vectorized and has a much better ratio of floating point computation to data movement [10, 11]. The Modified Gram-Schmidt Process (MGS) is often used in the construction of Arnoldi factorizations. However, MGS will definitely not produce numerically orthogonal basis vectors in practice. Moreover, MGS cannot be formulated in terms of Level 2 BLAS unless all of the vectors to be orthogonalized are known in advance and this is not the case in the Arnoldi process. For these reasons, classical Gram-Schmidt orthogonalization with the DGKS correction step is highly recommended.

The information obtained through this process is completely determined by the choice of the starting vector. Eigen-information of interest may not appear until k gets very large.

In this case it becomes intractable to maintain numerical orthogonality of the basis vectors V_k . Moreover, extensive storage will be required and repeatedly finding the eigensystem of H will become prohibitive at a cost of $\mathcal{O}(k^3)$ flops.

Failure to maintain orthogonality leads to several numerical difficulties. In a certain sense, the computation (or approximation) of the projection indicated at Step (a4.4) in a way that overcomes these difficulties has been the main source of research activity in these Krylov subspace projection methods. The computational difficulty stems from the fact that $\|f_k\| = 0$ if and only if the columns of V_k span an invariant subspace of A . When V_k “nearly” spans such a subspace $\|f_k\|$ will be small. Typically, in this situation, a loss of significant digits will take place at Step (a4.4) through numerical cancellation unless special care is taken (i.e. use of the DGKS correction).

It is desirable for $\|f_k\|$ to become small because this indicates that the eigenvalues of H are accurate approximations to the eigenvalues of A . However, this “convergence” will indicate a probable loss of numerical orthogonality in V . Moreover, if subsequent Arnoldi vectors are not forced to be orthogonal to the converged ones then components along these directions re-enter the basis via round-off effects and quickly cause a spurious copy of the previously computed eigenvalue to appear repeatedly in the spectrum of the projected matrix H . The identification of this phenomenon in the symmetric case and the first rigorous numerical treatment is due to Paige [31]. There have been several approaches to overcome this problem in the symmetric case. They include: (1) complete re-orthogonalization, which may be accomplished through maintaining V in product Householder form [50, 17] or through the Modified Gram-Schmidt processes with re-orthogonalization [9]. (2) Selective re-orthogonalization, which has been proposed by Parlett and has been heavily researched by him and his students. Most notably, the theses and subsequent papers and computer codes of Scott and of Simon have developed this idea [34, 33, 43]. (3) No re-orthogonalization, which has been developed by Cullum and her colleagues. This last option introduces the almost certain possibility of introducing spurious eigenvalues. Various techniques have been developed to detect and deal with the presence of spurious eigenvalues [6, 8].

The appearance of spurious eigenvalues may be avoided through complete orthogonalization of the Arnoldi (or Lanczos) vectors using the DGKS correction. Computational cost has been cited as the reason for not employing this option. However, the cost will be reasonable if one is able to fix k at a modest size and then update the starting vector $v_1 = V_k e_1$ while repeatedly doing k -Arnoldi steps. This approach was introduced in [21] and developed further by [7] for the symmetric case. Saad [38, 39, 40] has developed explicit restarting for the nonsymmetric case. Restarting has proven to have important consequences for the development of numerical software based upon Arnoldi’s method and this will be explored in the following section.

5 Restarting the Arnoldi Method

An unfortunate aspect of the Lanczos/Arnoldi process is that one cannot know in advance how many steps will be required before eigenvalues of interest are well approximated by Ritz

values. This is particularly true when the problem has a wide range of eigenvalues but the eigenvalues of interest are clustered. For example, in computational chemistry, problems are usually symmetric and positive definite and there is a wide range of eigenvalues varying over many orders of magnitude. Only the smallest eigenvalues are physically interesting and they are typically clustered at the low end of the spectrum. Shift and invert is usually not an option because of fill in from the factorizations. Without a spectral transformation, many Lanczos steps are required to obtain the smallest eigenvalues. In order to recover eigenvectors, one is obliged to store all of the Lanczos basis vectors (usually on a peripheral device) and to solve very large tridiagonal eigenvalue subproblems at each step. In the Arnoldi process that is used in the non-Hermitian case, not only do the basis vectors have to be stored, but the cost of the Hessenberg eigenvalue subproblem is $\mathcal{O}(k^3)$ at the k -th step.

5.1 EXPLICIT RESTARTING

An alternative has been proposed by Saad based upon the polynomial acceleration scheme developed by Manteuffel [28] for the iterative solution of linear systems. Saad [39] proposed to restart the iteration with a vector that has been preconditioned so that it is more nearly in a k -dimensional invariant subspace of interest. This preconditioning takes the form of a polynomial applied to the starting vector that is constructed to damp unwanted components from the eigenvector expansion. The resulting algorithm takes the form:

Algorithm 5: An Explicitly Restarted Arnoldi Method

Input: (A, v)

Put $v_1 = v/\|v\|$;

For $j = 1, 2, 3, \dots$ until *convergence*

(a5.1) Compute an m -step Arnoldi factorization

$$AV_m = V_m H_m + f_m e_m^T \text{ with } V_m e_1 = v_1 ;$$

(a5.2) Compute $\sigma(H_m)$ and corresponding Ritz estimates

and halt if desired eigenvalues are well approximated.

(a5.3) Construct a polynomial ψ based upon $\sigma(H_m)$ to damp unwanted components.

(a5.4) $v_1 \leftarrow \psi(A)v_1$; $v_1 \leftarrow v_1/\|v_1\|$;

End_For

The construction of the polynomial at Step (a5.3) may be guided by *a priori* information about the spectrum of A or solely by information gleaned from $\sigma(H_m)$. A typical scheme is to sort the spectrum of H_m into two disjoint sets Ω_w and Ω_u , with $\sigma(H_m) = \Omega_w \cup \Omega_u$. The Ritz values in the set Ω_w are to be regarded as approximations to the “wanted” eigenvalues of A and an open convex set \mathcal{C}_u containing Ω_u with $\Omega_w \cap \mathcal{C}_u = \emptyset$ is to be regarded as a region that approximately encloses the “unwanted” portion of the spectrum of A . The polynomial ψ is then constructed to be as small in magnitude as possible on \mathcal{C}_u when normalized, for example, to take the value 1 at an element of Ω_w closest to $\partial\mathcal{C}_u$. Chebyshev polynomials

are appropriate when \mathcal{C}_u is taken to be an ellipse and this was the original proposal of Saad when he adapted the Manteuffel idea to eigenvalue calculations. Another possibility explored by Saad has been to take \mathcal{C}_u to be the convex hull of Ω_u and to construct the polynomial ψ that best approximates 0 on this set in the least squares sense. Both of these are based upon well known theory of polynomial approximation. The problem of constructing an optimal ellipse for this problem has been studied by Chatelin and Ho. The reader is referred to [5] for details of constructing these polynomials.

The reasoning behind this type of algorithm is that if v_1 is a linear combination of precisely k eigenvectors of A then Arnoldi factorization terminates in k steps (i.e. $f_k = 0$). The columns of V_k will form an orthonormal basis for the invariant subspace spanned by those eigenvectors, and the Ritz values $\sigma(H_k)$ will be the corresponding eigenvalues of A . The update of the starting vector v_1 is designed to enhance the components of this vector in the directions of the wanted eigenvectors and damp its components in the unwanted directions. This effect is achieved at Step (a5.4) since

$$v_1 = \sum_{j=1}^n x_j \gamma_j \Rightarrow \psi(A)v_1 = \sum_{j=1}^n x_j \psi(\lambda_j) \gamma_j.$$

If the same polynomial were applied each time, then after M iterations, the j -th original expansion coefficient would be essentially attenuated by a factor

$$\left(\frac{\psi(\lambda_j)}{\psi(\lambda_1)} \right)^M,$$

where the eigenvalues have been ordered according decreasing values $|\psi(\lambda_j)|$. The eigenvalues inside the region \mathcal{C}_u become less and less significant as the iteration proceeds. Hence, the wanted eigenvalues are approximated increasingly well as the iteration proceeds.

Another restarting strategy proposed by Saad is to replace the starting vector with a linear combination of Ritz vectors corresponding to wanted Ritz values. If the eigenvalues and corresponding vectors are re-indexed so that the first k are wanted and (\hat{x}_j, θ_j) is the the Ritz pair approximating the eigenpair (x_j, λ_j) then

$$v_1^+ \leftarrow \sum_{j=1}^k \hat{x}_j \gamma_j \tag{4}$$

is taken as the new starting vector. Again, the motivation here is that the Arnoldi residual f_k would vanish if these k Ritz vectors were actually eigenvectors of A and the Ritz vectors are the best available approximations to these eigenvectors. A heuristic choice for the coefficients γ_j has also been suggested by Saad [38]. It is to weight the j -th Ritz vector with the value of its Ritz estimate and then normalize so that the new starting vector has norm 1. This has the effect of favoring the Ritz vectors that have least converged. Additional aspects of explicit restarting are developed thoroughly in Chapter VII of [40]. In any case, this restarting mechanism is actually polynomial restarting in disguise. Since $\hat{x}_j \in \mathcal{K}_m(A, v_1)$ implies $\hat{x}_j = \phi_j(A)v_1$ for some polynomial ϕ_j the formula for v_1^+ in (4) is

of the form

$$v_1^+ \leftarrow \phi(A)v_1 \equiv \sum_{j=1}^k \gamma_j \phi_j(A)v_1. \quad (5)$$

The technique just described is referred to as explicit (polynomial) restarting. When Chebyshev polynomials are used it is called an Arnoldi-Chebyshev method. The cost in terms of matrix-vector products $w \leftarrow Av$ is $M * (m + \text{deg}(\psi))$ for M major iterations. The cost of the arithmetic in the Arnoldi factorization is $M * (2n * m^2 + O(m^3))$ Flops (floating point operations). Tradeoffs must be made in terms of cost of the Arnoldi factorization vs. cost of the matrix-vector products Av and also in terms of storage ($nm + O(m^2)$).

5.2 IMPLICIT RESTARTING

There is another approach to restarting that offers a more efficient and numerically stable formulation. This approach called *implicit restarting* is a technique for combining the implicitly shifted QR mechanism with a k -step Arnoldi or Lanczos factorization to obtain a truncated form of the implicitly shifted QR-iteration. The numerical difficulties and storage problems normally associated with Arnoldi and Lanczos processes are avoided. The algorithm is capable of computing a few (k) eigenvalues with user specified features such as largest real part or largest magnitude using $2nk + O(k^2)$ storage. No auxiliary storage is required. The computed Schur basis vectors for the desired k -dimensional eigen-space are numerically orthogonal to working precision. This method is well suited to the development of mathematical software and this will be discussed in Section 7.

Implicit restarting provides a means to extract interesting information from very large Krylov subspaces while avoiding the storage and numerical difficulties associated with the standard approach. It does this by continually compressing the interesting information into a fixed size k -dimensional subspace. This is accomplished through the implicitly shifted QR mechanism. An Arnoldi factorization of length $m = k + p$

$$AV_m = V_m H_m + f_m e_m^T, \quad (6)$$

is compressed to a factorization of length k that retains the eigen-information of interest. This is accomplished using QR steps to apply p shifts implicitly. The first stage of this shift process results in

$$AV_m^+ = V_m^+ H_m^+ + f_m e_m^T Q, \quad (7)$$

where $V_m^+ = V_m Q$, $H_m^+ = Q^T H_m Q$, and $Q = Q_1 Q_2 \cdots Q_p$, with Q_j the orthogonal matrix associated with the shift μ_j . It may be shown that the first $k - 1$ entries of the vector $e_m^T Q$ are zero (i.e. $e_m^T Q = (\sigma e_k^T, \hat{q}^T)$). Equating the first k columns on both sides yields an updated k -step Arnoldi factorization

$$AV_k^+ = V_k^+ H_k^+ + f_k^+ e_k^T, \quad (8)$$

with an updated residual of the form $f_k^+ = V_{k+p}^+ e_{k+1} \hat{\beta}_k + f_{k+p} \sigma$. Using this as a starting point it is possible to apply p additional steps of the Arnoldi process to return to the original m -step form.

Each of these shift cycles results in the implicit application of a polynomial in A of degree p to the starting vector.

$$v_1 \leftarrow \psi(A)v_1 \quad \text{with} \quad \psi(\lambda) = \prod_1^p (\lambda - \mu_j).$$

The roots of this polynomial are the shifts used in the QR process and these may be selected to filter unwanted information from the starting vector and hence from the Arnoldi factorization. Full details may be found in [44]. The basic iteration is given here in Algorithm 6 and the diagrams in Figures 1-3 describe how this iteration proceeds schematically. In Algorithm 6 and in the discussion below, the notation $M_{(1:n,1:k)}$ denotes the leading $n \times k$ submatrix of M .

Algorithm 6: An Implicitly Restarted Arnoldi Method

Input: (A, V, H, f) with $AV_m = V_m H_m + f_m e_m^T$, an m -Step Arnoldi Factorization;

For $\ell = 1, 2, 3, \dots$ until *convergence*

(a6.2) Compute $\sigma(H_m)$ and select set of p shifts $\mu_1, \mu_2, \dots, \mu_p$

based upon $\sigma(H_m)$ or perhaps other information;

(a6.3) $q^T \leftarrow e_m^T$;

(a6.4) For $j = 1, 2, \dots, p$,

Factor $[Q_j, R_j] = \text{qr}(H_m - \mu_j I)$;

$H_m \leftarrow Q_j^H H_m Q_j$; $V_m \leftarrow V_m Q_j$;

$q \leftarrow q^H Q_j$;

End_For

(a6.5) $f_k \leftarrow v_{k+1} \hat{\beta}_k + f_m \sigma_k$; $V_k \leftarrow V_{m(1:n,1:k)}$; $H_k \leftarrow H_{m(1:k,1:k)}$;

(a6.6) Beginning with the k -step Arnoldi factorization

$AV_k = V_k H_k + f_k e_k^T$,

apply p additional steps of the Arnoldi process

to obtain a new m -step Arnoldi factorization

$AV_m = V_m H_m + f_m e_m^T$.

End_For

The diagrams in Figures 1-3 indicate how this iteration proceeds schematically.

Observe that if $m = n$ then $f = 0$ and this iteration is precisely the same as the Implicitly Shifted QR iteration. Even for $m < n$, the first k columns of V and the Hessenberg submatrix $H_{(1:k,1:k)}$ are mathematically equivalent to the matrices that would appear in the full Implicitly Shifted QR iteration using the same shifts μ_j . In this sense, the Implicitly Restarted Arnoldi method may be viewed as a truncation of the Implicitly Shifted QR iteration. The fundamental difference is that the standard Implicitly Shifted QR iteration selects shifts to drive subdiagonal elements of H to zero from the bottom up while the shift selection in the Implicitly Restarted Arnoldi method is made to drive subdiagonal

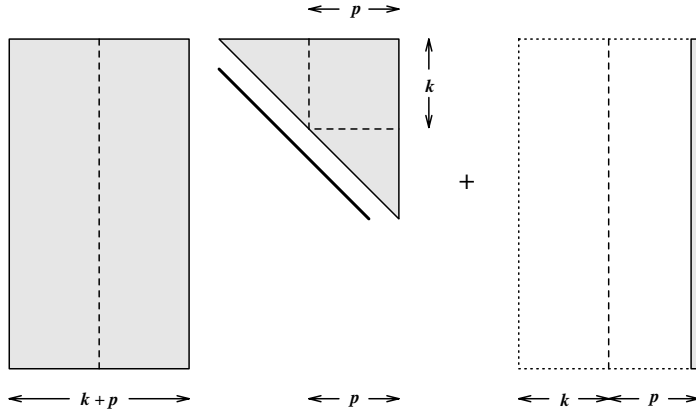


Figure 1: Representation of $V_{k+p}H_{k+p} + f_{k+p}e_{k+p}^T$. Shaded regions denote nonzeros.

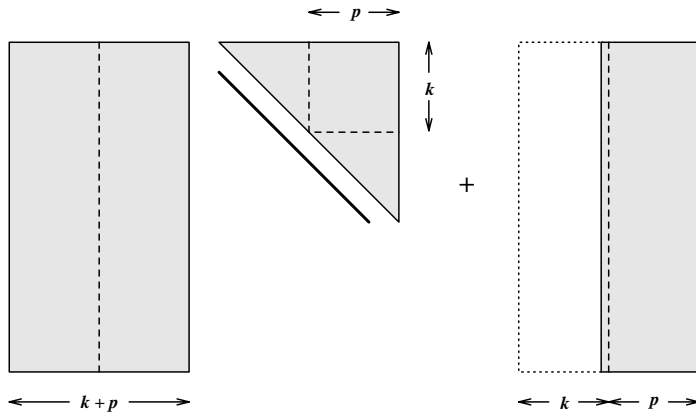


Figure 2: $V_{k+p}QQ^TH_{k+p}Q + f_{k+p}e_{k+p}^TQ$ after p implicitly shifted QR steps.

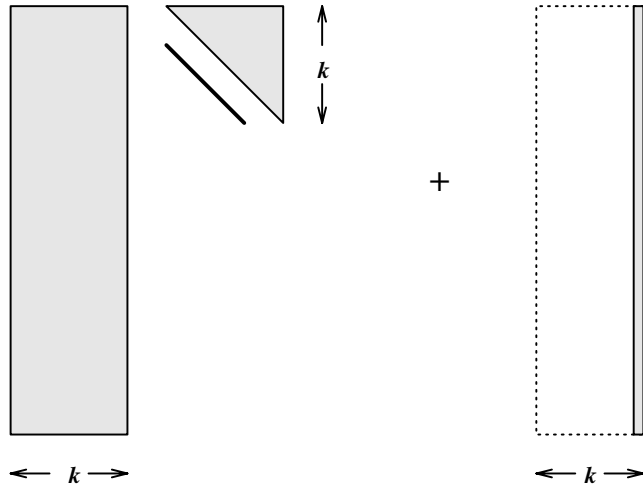


Figure 3: Leading k columns $V_kH_k + f_k e_k^T$ form a length k Arnoldi factorization after discarding the last p columns.

elements of H to zero from the top down. Important implementation details concerning the deflation (setting to zero) of subdiagonal elements of H and the purging of unwanted but converged Ritz values are beyond the scope of this discussion. However, these details are extremely important to the success of this iteration in difficult cases. Complete details of these numerical refinements may be found in [26, 24]

The above iteration can be used to apply any known polynomial restart. If the roots of the polynomial are not known there is an alternative implementation that only requires one to compute $q_1 = \psi(H)e_1$ where ψ is the desired degree p polynomial. A sequence of Householder transformations may developed to form a unitary matrix Q such that $Qe_1 = q_1$ and $H \leftarrow Q^H H Q$ is upper Hessenberg. The details which follow standard developments for the Implicitly Shifted QR iteration will be omitted here.

A shift selection strategy that has proved successful in practice is called the “Exact Shift Strategy”. In this strategy, one computes $\sigma(H)$ and sorts this into two disjoint sets Ω_w and Ω_u . The k Ritz values in the set Ω_w are regarded as approximations to the “wanted” eigenvalues of A , and the p Ritz values in the set Ω_u are taken as the shifts μ_j . An interesting consequence (in exact arithmetic) is that after Step (a6.4) above, the spectrum of H_k in Step (a6.5) is $\sigma(H_k) = \Omega_w$ and the updated starting vector v_1 is a particular linear combination of the k Ritz vectors associated with these Ritz values. In other words, the implicit restarting scheme with exact shifts provides a specific selection of the coefficients γ_j in the formula (4) and this implicit scheme costs p rather than the $k + p$ matrix-vector products the explicit scheme would require. Thus the exact shift strategy can be viewed both as a means to damp unwanted components from the starting vector and also as directly forcing the starting vector to be a linear combination of wanted eigenvectors. The exact shift strategy has two additional interesting theoretical properties.

Lemma 5.1 *If H is unreduced and diagonalizable then:*

1. *The polynomial ϕ in (5) satisfies $\phi(\lambda) = \psi(\lambda)\rho(\lambda)$, where ψ is the exact shift polynomial and ρ is some polynomial of degree at most $k - 1$.*

2. *The updated Krylov subspace generated by the new starting vector satisfies*

$$\mathcal{K}_m(A, v_1^\dagger) = \text{Span}\{\hat{x}_1, \hat{x}_2, \dots, \hat{x}_k, A\hat{x}_j, A^2\hat{x}_j, \dots, A^p\hat{x}_j\}$$

for $j = 1, 2, \dots, k$.

The first property $\phi(\lambda) = \psi(\lambda)\rho(\lambda)$ indicates that the linear combination selected by the exact shift scheme is somehow minimal while the second property indicates that each of the subspaces $\mathcal{K}_p(A, \hat{x}_j) \subset \mathcal{K}_m(A, v_1^\dagger)$ so that each sequence of “wanted” Ritz vectors is represented equally in the updated subspace. The first property was established in [24] along with an extensive analysis of the numerical properties of implicit restarting. The surprising second property was established by Morgan in [30] along with some compelling numerical results indicating superior performance of implicit over explicit restarting.

6 The Generalized Eigenvalue Problem

A typical source of large scale eigenproblems is through a discrete form of a continuous problem. The resulting finite dimensional problems become large due to accuracy requirements and spatial dimensionality. Typically this takes the form

$$\begin{aligned} \mathcal{L}u &= u\lambda \text{ in } \Omega, \\ u &\text{ satisfies } \mathcal{B} \text{ on } \partial\Omega, \end{aligned} \tag{9}$$

where \mathcal{L} is some linear differential operator. A number of techniques may be used to discretize \mathcal{L} . The finite element method provides an elegant discretization. If \mathcal{W} is a space of functions in which the solution to (9) may be found and $\mathcal{W}_n \subset \mathcal{W}$ is an n -dimensional subspace with basis functions $\{\phi_j\}$ then an approximate solution u_n is expanded in the form

$$u_n = \sum_{j=1}^n \phi_j \xi_j.$$

A variational or a Galerkin principle is applied depending on whether or not \mathcal{L} is self-adjoint, leading to a weak form of (9)

$$\mathcal{A}(v, u) = \lambda \langle v, u \rangle, \tag{10}$$

where $\mathcal{A}(v, u)$ is a bilinear form. Substituting the expanded form of $u = u_n$ and requiring (10) to hold for each trial function $v = \phi_i$ gives a set of algebraic equations

$$\mathcal{A}\left(\phi_i, \sum_{j=1}^n \phi_j \xi_j\right) = \lambda \left\langle \phi_i, \sum_{j=1}^n \phi_j \xi_j \right\rangle,$$

where $\langle \cdot, \cdot \rangle$ is an inner product in \mathcal{W}_n . This leads to the following systems of equations

$$\sum_{j=1}^n \mathcal{A}(\phi_i, \phi_j) \xi_j = \lambda \sum_{j=1}^n \langle \phi_i, \phi_j \rangle \xi_j, \tag{11}$$

for $1 \leq i \leq n$. We may rewrite (11) and obtain the matrix equation

$$Ax = \lambda Mx,$$

where

$$A_{i,j} = \mathcal{A}(\phi_i, \phi_j), \quad M_{i,j} = \langle \phi_i, \phi_j \rangle, \quad x^T = [\xi_1, \dots, \xi_n]^T,$$

for $1 \leq i, j \leq n$. Typically the basis functions are chosen so that few entries in a row of A or M are nonzero. In structures problems A is called the “stiffness” matrix and M is called the “mass” matrix. In chemistry and physics M is often referred to as the “overlap” matrix. A nice feature of this approach to discretization is that boundary conditions are naturally incorporated into the discrete problem. Moreover, in the self-adjoint case, the Rayleigh principle is preserved from the continuous to the discrete problem. In particular, since Ritz values are Rayleigh quotients, this assures the smallest Ritz value is greater than the smallest eigenvalue of the original problem.

Thus, it is natural for large scale eigenproblems to arise as generalized rather than standard problems. If \mathcal{L} is self-adjoint the discrete problems are symmetric or Hermitian and if not the matrix A is nonsymmetric but the matrix M is symmetric and at least positive

semi-definite. There are a number of ways to convert the generalized problem to standard form. There is always motivation to preserve symmetry when it is present.

If M is positive definite then factor $M = LL^T$ and the eigenvalues of $\hat{A} \equiv L^{-1}AL^{-T}$ are the eigenvalues of (A, M) and the eigenvectors are obtained by solving $L^T x = \hat{x}$ where \hat{x} is an eigenvector of \hat{A} . This standard transformation is fine if one wants the eigenvalues of largest magnitude and it preserves symmetry if A is symmetric. However, when M is ill-conditioned this can be a dangerous transformation leading to numerical difficulties. Since a matrix factorization will have to be done anyway, one may as well formulate a spectral transformation.

6.1 STRUCTURE OF THE SPECTRAL TRANSFORMATION

A convenient way to provide a spectral transformation is to note that

$$Ax = \lambda Mx \iff (A - \mu M)x = (\lambda - \mu)Mx$$

Thus

$$(A - \mu M)^{-1}Mx = x\theta, \quad \text{where } \theta = \frac{1}{\lambda - \mu}.$$

If A is symmetric then one can maintain symmetry in the Arnoldi/Lanczos process by taking the inner product to be

$$\langle x, y \rangle = x^T M y.$$

It is easy to verify that the operator $(A - \mu M)^{-1}M$ is symmetric with respect to this inner product if A is symmetric. In the Arnoldi/Lanczos process the matrix-vector product $w \leftarrow Av$ is replaced by $w \leftarrow (A - \mu M)^{-1}Mv$ and the step $h \leftarrow V^T f$ is replaced by $h \leftarrow V^T(Mf)$. If A is symmetric then the matrix H is symmetric and tridiagonal. Moreover, this process is well defined even when M is singular and this can have important consequences even if A is nonsymmetric. We shall refer to this process as the M -Arnoldi process.

If M is singular then the operator $S \equiv (A - \mu M)^{-1}M$ has a non-trivial null space and the bilinear function $\langle x, y \rangle = x^T M y$ is a semi-inner product and $\|x\|_M \equiv \langle x, x \rangle^{1/2}$ is a seminorm. Since $(A - \mu M)$ is assumed to be nonsingular, $\mathcal{N} \equiv \text{Null}(S) = \text{Null}(M)$. Vectors in \mathcal{N} are generalized eigenvectors corresponding to *infinite* eigenvalues. Typically, one is only interested in the finite eigenvalues of (A, M) and these will correspond to the non-zero eigenvalues of S . The invariant subspace corresponding to these non-zero eigenvalues is easily corrupted by components of vectors from \mathcal{N} during the Arnoldi process. However, using the M -Arnoldi process with some refinements can provide a solution.

In order to better understand the situation, it is convenient to note that since M is positive semi-definite, there is an orthogonal matrix Q such that

$$M = Q \begin{bmatrix} D & 0 \\ 0 & 0 \end{bmatrix} Q^T$$

where D is a positive definite diagonal matrix of order n , say. Thus

$$\hat{S} \equiv Q^T S Q = \begin{bmatrix} S_1 & 0 \\ S_2 & 0 \end{bmatrix},$$

where S_1 is a square matrix of order n and S_2 is an $m \times n$ matrix with the original A, M being of order $m + n$. Observe now that a non-zero eigenvalue λ of \hat{S} satisfies $\hat{S}x = x\lambda$, i.e.

$$\begin{bmatrix} S_1 x_1 \\ S_2 x_1 \end{bmatrix} = \begin{bmatrix} x_1 \lambda \\ x_2 \lambda \end{bmatrix}$$

so that $x_2 = \frac{1}{\lambda} S_2 x_1$ must hold. Note also that for any eigenvector $x^H = (x_1^H, x_2^H)$, the leading vector x_1 must be an eigenvector of S_1 . Since \hat{S} is block triangular, $\sigma(\hat{S}) = \sigma(S_1) \cup \sigma(0_m)$. Assuming S_2 has full rank, it follows that if S_1 has a zero eigenvalue then there is no corresponding eigenvector (since $S_2 x_1 = 0$ would be implied). Thus if zero is an eigenvalue of S_1 with algebraic multiplicity m_o then zero is an eigenvalue of \hat{S} of algebraic multiplicity $m + m_o$ and with geometric multiplicity m . Of course, since, S is similar to \hat{S} all of these statements hold for S as well.

6.2 EIGENVECTOR/NULL-SPACE PURIFICATION

With these observations in hand, it is possible to see the virtue of using M -Arnoldi on S . After k -steps of M -Arnoldi,

$$S V = V H + f e_k^T \quad \text{with} \quad V^T M V = I_k, V^T M f = 0.$$

Introducing the similarity transformation Q gives

$$\hat{S} \hat{V} = \hat{V} \hat{H} + \hat{f} e_k^T \quad \text{with} \quad \hat{V}^T Q^T M Q \hat{V} = I_k, V^T Q^T M Q \hat{f} = 0,$$

where $\hat{V} = Q^T V$ and $\hat{f} = Q^T f$. Partitioning $\hat{V}^T = (V_1^T V_2^T)$ and $\hat{f}^T = (f_1^T, f_2^T)$ consistent with the blocking of \hat{S} gives

$$S_1 V_1 = V_1 H + f_1 e_k^T \quad \text{with} \quad V_1^T D V_1 = I_k, V_1^T D f_1 = 0.$$

Moreover, the side condition $S_2 V_1 = V_2 H + f_2 e_k^T$ holds, so that in exact arithmetic a zero eigenvalue should not appear as a converged Ritz value of H . This argument shows that M -Arnoldi on S is at the same time doing D -Arnoldi on S_1 while avoiding convergence to zero eigenvalues.

Round-off error due to finite precision arithmetic will cloud the situation, as usual. It is clear that the goal is to prevent components in \mathcal{N} from corrupting the vectors V . Thus to begin, the starting vector v_1 should be of the form $v_1 = S v$. If a final approximate eigenvector x has components in \mathcal{N} they may be purged by replacing $x \leftarrow S x$ and then normalizing. To see the effect of this, note that if $x = Q \begin{bmatrix} x_1 \\ x_2 \end{bmatrix}$

$$S x = Q \begin{bmatrix} S_1 x_1 \\ S_2 x_1 \end{bmatrix}$$

and all components in \mathcal{N} which are of the form $Q \begin{bmatrix} 0 \\ p \end{bmatrix}$ will have been purged. This final application of S may be done implicitly in two ways. One is to note that if $x = Vy$ with $Hy = y\theta$ then $Sx = VHy + fe_k^T y = x\theta + fe_k^T y$ and this is the correction suggested by [32]. Another recent suggestion due to Meerbergen and Spence is to use implicit restarting with a zero shift [29]. Recall that implicit restarting with ℓ zero shifts is equivalent to starting the M -Arnoldi process with a starting vector of $S^\ell v_1$ and all the resulting Ritz vectors will be multiplied by S^ℓ as well. After applying the implicit shifts to H , the leading submatrix of order $k - \ell$ will provide the updated Ritz values. No additional explicit matrix-vector products with S are required.

The ability to apply ℓ zero shifts (i.e. to multiply by S^ℓ implicitly) is very important when S_1 has zero eigenvalues. If $S_1 x_1 = 0$ then

$$\begin{bmatrix} S_1 & 0 \\ S_2 & 0 \end{bmatrix} \begin{bmatrix} x_1 \\ x_2 \end{bmatrix} = \begin{bmatrix} 0 \\ S_2 x_1 \end{bmatrix} \in \mathcal{N}.$$

Thus to completely eradicate components from \mathcal{N} one must multiply by S^ℓ where ℓ is equal to the dimension of the largest Jordan block corresponding to a zero eigenvalue of S_1 .

Spectral transformations were studied extensively by Ericsson and Ruhe [14] and the first eigenvector purification strategy was developed in [32]. Shift and invert techniques play an essential role in the block Lanczos code developed by Grimes, Lewis, and Simon. The many nuances of this technique in practical applications is discussed thoroughly in [19]. The development presented here and the eigenvector purification through implicit restarting is due to Meerbergen and Spence [29].

6.3 AN EXAMPLE

This discussion is illustrated with the following example.

$$A = \begin{bmatrix} K & C \\ C^T & 0 \end{bmatrix} \quad \text{and} \quad M = \begin{bmatrix} I & 0 \\ 0 & 0 \end{bmatrix},$$

with A an order 225 matrix approximation to a convection-diffusion operator and C a structured random matrix. This example was chosen because it has the block structure of a typical steady-state Navier-Stokes linear stability analysis (see [29]). The following MATLAB code was used to generate the example:

```

rand('seed',0);
n = 225;m=100;
K = lapc(n,100);
C = [rand(m,m) ; zeros(n-m,m)];
M = [eye(n) zeros(n,m) ; zeros(m,n) zeros(m,m)];
A = [K C ; C' zeros(m,m)];
mu = 7.0;
S = (A - mu*M)\M;

```

$\ P_{\mathcal{N}}V\ $	$\ P_{\mathcal{N}}V^+\ $	$\ P_{\mathcal{G}}V\ $	$\ P_{\mathcal{G}}V^+\ $
3.70	1.48(-11)	1.32(-11)	2.85(-12)

Table 1: Projection of V onto \mathcal{N} and \mathcal{G}

j	$\ Ax_j - Mx_j\lambda_j\ $	$\ (Ax_j - Mx_j\lambda_j)^+\ $
1	1.50(-03)	9.93(-06)
2	1.11(-02)	6.77(-05)

Table 2: Residuals before and after purging components from \mathcal{N} and \mathcal{G}

The matrices \mathbf{K} , \mathbf{C} , \mathbf{M} , \mathbf{A} correspond to the matrices in the equations above. The function `lapc` computes a finite difference approximation to $\Delta u + \rho u_x$ on a 15×15 regular grid in the unit square with $\rho = 100$. Any matrix pencil (A, M) with this block structure (assuming C full rank and $A - \mu * M$ nonsingular) will produce an S of the form

$$S = \begin{bmatrix} 0 & 0 & 0 \\ 0 & S_{22} & 0 \\ S_{31} & S_{32} & 0 \end{bmatrix},$$

with S_{22} nonsingular and order $n - m$. From the above discussion one may conclude that S has an eigenvalue 0 with algebraic multiplicity $2m$ and geometric multiplicity m . There are three important subspaces associated with S . They are \mathcal{N} , \mathcal{G} and \mathcal{R} and these spaces satisfy

$$S\mathcal{N} = \{0\}, \quad S\mathcal{G} \subset \mathcal{N}, \quad S\mathcal{R} \subset \mathcal{R}.$$

All of \mathbf{C}^n may be represented as a direct sum of these three spaces. The (oblique) projectors associated with these spaces shall be denoted by $P_{\mathcal{N}}$, $P_{\mathcal{G}}$, and $P_{\mathcal{R}}$ respectively. Explicit formulas are:

$$P_{\mathcal{N}} = \begin{bmatrix} 0 & 0 & 0 \\ 0 & 0 & 0 \\ 0 & -S_{32}S_{22}^{-1} & I \end{bmatrix} \quad P_{\mathcal{G}} = \begin{bmatrix} I & 0 & 0 \\ 0 & 0 & 0 \\ 0 & 0 & 0 \end{bmatrix} \quad P_{\mathcal{R}} = \begin{bmatrix} 0 & 0 & 0 \\ 0 & S_{22} & \\ S_{31} & S_{32} & 0 \end{bmatrix}$$

The following table shows the norms of the projections of the basis vectors V onto the spaces \mathcal{N} and \mathcal{G} where V was computed with 20 steps of M -Arnoldi starting with a vector $v_1 = Sv$ (v a vector with all entries equal to 1). The norms of the projections are taken before and after purging by applying two zero shifts using implicit restarting. The $+$ symbol denotes the updated basis after purging.

The next table shows the residual norms for the two approximate eigenvalues that are closest to the shift μ before and after purging.

Clearly, there is considerable merit to doing this purging. This generalizes the purging proposed by [32] and seems to be quite promising. Further testing is needed but some form of this process is essential to the construction of numerical software to implement shift-invert strategies.

7 SOFTWARE, PERFORMANCE, and PARALLEL COMPUTATION

The Implicitly Restarted Arnoldi Method has been implemented and a package of Fortran 77 subroutines has been developed. This software, called ARPACK [27], provides several features which are not present in other codes based upon a single-vector Arnoldi process. One of the most important features from the software standpoint is the reverse communication interface. This feature provides a convenient way to interface with application codes without imposing a structure on the users matrix or the way a matrix-vector product is accomplished. In the parallel setting, this reverse communication interface enables efficient memory and communication management for massively parallel MIMD and SIMD machines. The important features of ARPACK are:

- A reverse communication interface.
- Ability to return k eigenvalues which satisfy a user specified criterion such as largest real part, largest absolute value, largest algebraic value (symmetric case), etc.
- A fixed pre-determined storage requirement suffices throughout the computation. Usually this is $n * O(2k) + O(k^2)$ where k is the number of eigenvalues to be computed and n is the order of the matrix. No auxiliary storage or interaction with such devices is required during the course of the computation.
- Eigenvectors may be computed on request. The Arnoldi basis of dimension k is always computed. The Arnoldi basis consists of vectors which are numerically orthogonal to working accuracy. Computed eigenvectors of symmetric matrices are also numerically orthogonal.
- The numerical accuracy of the computed eigenvalues and vectors is user specified. Residual tolerances may be set to the level of working precision. At working precision, the accuracy of the computed eigenvalues and vectors is consistent with the accuracy expected of a dense method such as the implicitly shifted QR iteration.
- Multiple eigenvalues offer no theoretical or computational difficulty other than additional matrix-vector products required to expose the multiple instances. This is made possible through the implementation of deflation techniques similar to those employed to make the implicitly shifted QR-algorithm robust and practical. A block method is not required and hence one does not need to “guess” the correct blocksize that would be needed to capture multiple eigenvalues.

7.1 REVERSE COMMUNICATION INTERFACE

As mentioned above, the reverse communication interface is one of the most important aspects of the design of ARPACK. In the serial code, a typical usage of this interface is illustrated with the following example:

```
10 continue
   call snaupd (ido, bmat, n, which,...,V,...,lworkl, info)
```



```

if (ido .eq. newprod) then
    call matvec ('A', n, workd(ipntr(1)), workd(ipntr(2)))
else
    return
endif
go to 10

```

As usual, with reverse communication, control is returned to the calling program when interaction with the matrix A is required. The action requested of the calling program is to simply perform the action indicated by the reverse communication parameter `ido` (in this case multiply the vector held in the array `workd` beginning at location `ipntr(1)` and put the result in the array `workd` beginning at location `ipntr(2)`). Note that call to the subroutine `matvec` in this code segment is simply meant to indicate that this matrix-vector operation is taking place. The user is free to use any available mechanism or subroutine to accomplish this task. In particular, no specific data structure is imposed and indeed, no explicit representation of the matrix is even required. One only needs to supply the action of the matrix on the specified vector.

There are several reasons for supplying this interface. It is more convenient to use with large application codes. The alternative is to put the user supplied matrix-vector product in a subroutine with a pre-specified calling sequence. This may be quite cumbersome and is especially so in those cases where the action of the matrix on a vector is known only through a lengthy computation that doesn't involve the matrix A explicitly. Typically, if the matrix-vector product must be provided in the form of a subroutine with a fixed calling sequence, then named `common` or some other means must be used to pass data to the routine. This is incompatible with efficient memory management for massively parallel MIMD and SIMD machines.

This has been implemented on a number of parallel machines including the CRAY-C90, Thinking Machines CM-200 and CM-5, Intel Delta, and CRAY T3D. Parallel performance on the C90 is obtained through the BLAS operations without any modification to the serial code. SIMD performance on the CM-200 is also relatively straightforward. All of the BLAS operations were expressed using Fortran 90 array constructs and hence were automatically compiled for execution on the SIMD array instead of the frontend. Operations on the projected matrix H were not encoded with these array constructs and hence were automatically scheduled for the frontend. The only additional complication was to define the data layouts of the V array and the work arrays for efficient execution. In the distributed memory implementations, the reverse communication interface provided a natural way to parallelize the ARPACK codes internally without imposing a fixed parallel decomposition on the user supplied matrix-vector product.

7.2 DATA DISTRIBUTION AND GLOBAL OPERATIONS

The parallelization strategy for distributed memory machines consists of providing the user with an Single Program Multiple Data (SPMD) template. The array V is blocked and distributed across the processors. The projected matrix H is replicated. The SPMD

program looks essentially like the serial code except that the local block `Vloc` is passed in place of V . The work space is partitioned consistently with the partition of V and each section of the work space is distributed to the node processors. Thus the SPMD parallel code looks very similar to that of the serial code. Assuming a parallel version of the subroutine `matvec`, an example of the application of the distributed interface is illustrated as the follows:

```

10 continue
   call snaupd (ido, bmat, nloc, which, ...,
*           Vloc , ... lworkl, info)
   if (ido .eq. newprod) then
       call matvec ('A', nloc,workd(ipntr(1)), workd(ipntr(2)))
   else
       return
   endif
   go to 10

```

Where, `nloc` is the number of rows in the block `Vloc` of V that has been assigned to this node process.

Typically, the blocking of V is commensurate with the parallel decomposition of the matrix A as well as with the configuration of the distributed memory and interconnection network. Logically, the V matrix be partitioned by blocks

$$V^T = (V^{(1)T}, V^{(2)T}, \dots, V^{(nproc)T})$$

with one block per processor and with H replicated on each processor.

The explicit steps of the process responsible for the j block are:

1. $\beta_k = gnorm(f_k^{(*)}); v_{k+1}^{(j)} \leftarrow f_k^{(j)}/\beta;$
2. $V_{k+1}^{(j)} \leftarrow (V_k, v_{k+1})^{(j)}; \hat{H}_k \leftarrow \begin{pmatrix} H_k \\ \beta_k e_k^T \end{pmatrix} .$
3. $z \leftarrow (Aloc)v_{k+1};$
4. $h^{(j)} \leftarrow V_k^{(j)T} z; h \leftarrow gsum(h^{(*)}) f_{k+1} \leftarrow z - V_{k+1} h;$
5. $H_{k+1} \leftarrow (\hat{H}_k, h);$

Note that the function `gnorm` at Step 1 is meant to represent the global reduction operation of computing the norm of the distributed vector f_k from the norms of the local segments $f_k^{(j)}$ and the function `gsum` at Step 4 is meant to represent the global sum of the local vectors $h^{(j)}$ so that the quantity $h = \sum_{j=1}^{nproc} h^{(j)}$ is available to each process on completion. These are the only two communication points within this algorithm. The remainder is perfectly parallel. Additional communication will typically occur at Step 3. Here the operation `(Aloc)v` is meant to indicate that the user supplied matrix-vector product is able to compute the local segment of the matrix-vector product Av that is consistent with the

partition of V . Ideally, this would only involve nearest neighbor communication among the processes.

Since H is replicated on each processor, the parallelization of the implicit restart mechanism described by Algorithm(6) remains untouched. The only difference is that the local block $V^{(j)}$ is in place of the full matrix V . All operations on the matrix H are replicated on each processor. Thus there is no communication overhead but there is a “serial bottleneck” here due to the redundant work. If k is small relative to n this bottleneck is insignificant. However, it becomes a very important latency issue as k grows and will prevent scalability if k grows with n as the problem size increases.

The main benefit of this approach is that the changes to the serial version of ARPACK are very minimal. Since the change of dimension from matrix order n to its local distributed blocksize `nloc` is invoked through the calling sequence of the subroutine `snaupd`, there is no essential change to the code. Only six routines were effected in a minimal way. These routines either required a change in norm calculation for distributed vectors (Step 1) or for the distributed dense matrix-vector product (Step 4). Since the vectors are distributed, norms had to be done via partial (scaled) dot products for the local vector segments and then a global sum operation was used to complete the sum of the squared norms of these segments on all processors. More specifically, the commands are changed from

```
rnorm = sdot (n, resid, 1, workd, 1)
rnorm = sqrt(abs(rnorm))
```

to

```
rnorm0 = sdot (n, resid, 1, workd, 1)
call gssum(rnorm0,1,tmp)
rnorm0 = sqrt(abs(rnorm0))
rnorm = rnorm0
```

Similarly, the computation of the matrix-vector product operation $h \leftarrow V^T w$ requires a change from

```
call sgemv ('T', n, j, one, v, ldv, workd(ipj), 1,
*          zero, h(1,j), 1)
```

to

```
call sgemv ('T', n, j, one, v, ldv, workd(ipj), 1,
*          zero, h(1,j), 1)
call gssum(h(1,j),j,h(1,j+1))
```

so the global sum operation `gssum` was sufficient to implement all of the global operations.

7.3 DISTRIBUTED MEMORY PARALLEL PERFORMANCE

To get an idea of the potential performance of ARPACK on distributed memory machines some examples have been run on the Intel Touchstone DELTA. The examples involved have been designed to test the performance of the software, the matrix structure and the

Touchstone DELTA machine architecture, and the speedup behavior of the software on DELTA.

The user's implementation of the matrix-vector product $w \leftarrow Av$ can have considerable effect upon the parallel performance. Moreover, there is a fundamental difficulty in testing how the performance scales as the problem size increases. The difficulty is that the problem often becomes increasingly difficult to solve as the size increases due to clustering of eigenvalues. The tests reported here attempt to isolate and measure the performance of the parallelization of the ARPACK routines independently of the matrix-vector product.

In order to isolate the performance of the ARPACK routines from the performance of the user's matrix-vector product and also to isolate effects of a changing problem characteristics as the size increases, a test was comprised of replicating the same matrix repeatedly to obtain a block diagonal matrix. Each diagonal block corresponded to a corresponding block of the partitioned and distributed matrix V . This is, of course, a completely contrived situation that allows the workload to increase linearly with the number of processors. Since the each diagonal block of the matrix is identical the algorithm should behave as if *nproc* identical problems are being solved simultaneously as long as the initial distributed segments of v_1 are generated the same. Thus, the only things that could prevent ideal speedup are the communication involved in the global operations and the "serial bottleneck" associated with the replicated operations on the projected matrix H . If neither of these were present then one would expect the execution time to remain constant as the problem size and the number of processors increase.

In this first example, each diagonal block is of order 3,000 which is identical to the vector segment size on each node. The matrix-vector product operation $z^{(j)} \leftarrow (Aloc)v_{k+1}^{(j)}$ is executed locally on each node processor upon the distributed vector segments $v_{k+1}^{(j)}$, and there is no communication among processors involved in this operation. As described above, the problem size is increased linearly with the the number of processors by adjoining an additional identical diagonal block to the A matrix for each additional processor. The global sum operation `gssum` is essentially a ring algorithm and thus has a linear dependence with respect to the number of nodes. Since the diagonal blocks are identical, the replicated operations on H should remain the same as the problem size increases and hence linear speed up is expected, i.e. as the problem size increases the execution time should remain constant. This ideal speedup is very nearly achieved as is clearly reflected in Table 3.

The second example is obtained from the similar numerical model of the eigenproblem of the Laplacian operator defined on the unit square with square with Dirichlet boundary conditions on three sides and a Neuman boundary condition on the fourth side. This leads to a mildly nonsymmetric matrix with the same 5-diagonal structure as the standard 2-D discrete Laplacian on a 5 point stencil. The unit square $\{(x, y)|0 \leq x, y \leq 1\}$ was discretized with x -direction mesh size and y -direction mesh size $1/(n + 1)$ and $1/(m + 1)$, respectively. Thus the matrix A is block tridiagonal and of order $N = nm$. The order of each diagonal block is n , and the number of diagonal blocks is m .

A natural way to carry out the matrix-vector product operation $w \leftarrow Av$ is described as the follows. A standard domain decomposition partitioning of the unit square into sub-

Problem size	Number of nodes	Total Time (s)
3000*1	1	22.96
3000*2	2	23.22
3000*4	4	23.98
3000*8	8	24.08
3000*16	16	24.39
3000*32	32	24.95
3000*64	64	25.50
3000*128	128	27.13
3000*256	256	28.65

Table 3: Parallel ARPACK test on DELTA, matrix order 3,000 on each node

Problem size	Number of nodes	Total Time (s)
2500*1	1	19.63
2500*2	2	20.71
2500*4	4	21.97
2500*8	8	22.47
2500*16	16	22.50
2500*32	32	23.13
2500*64	64	23.68
2500*128	128	24.78
2500*256	256	28.16

Table 4: Parallel ARPACK test on DELTA, matrix order 2,500 on each node

rectangles leads to a parallel matrix-vector product that only exchanges boundary data across the boundaries of the sub-domains and hence only needs nearest neighbor connections. The subdomains are naturally chosen so that the blocking of the matrix is commensurate with the blocking and distribution of the V array. The reverse communication interface allows the user supplied matrix-vector product to take advantage of the matrix structure. Simple send and receive operations using the native Intel *isend* and *irecv* were used to carry out the nearest neighbor communication operation.

The results of these tests are given in Table 4 and demonstrate nearly the same speedup as to Table 3. The relatively minor communication to receive boundary data from nearest neighbors effected the speedup properties somewhat.

The final example shows how dramatically an inefficient matrix-vector product operation $w \leftarrow Av$ and also how problem size can effect performance. A naive way to perform the matrix-vector product would be to collect the segments of the vector v from all nodes before the operation, and then distribute the segments of the result vector w to each node after the operation. The performance of this scheme is shown in Table 5. No advantage of the matrix structure was taken in computing the matrix-vector product. The matrix size was fixed at

Nodes	Time (s)	Iters.	Ave. $\frac{Time}{Iter}$	$\frac{OP*x\ Time}{Total\ Time}$
1	1809.07	173	10.46	0.84 %
2	1073.36	189	5.679	1.48 %
4	732.72	213	3.440	2.65 %
8	449.95	225	2.000	5.24 %
16	201.27	192	1.048	8.90 %
32	114.98	154	0.747	13.3 %
64	161.24	260	0.620	18.0 %
128	128.28	210	0.611	25.9 %

Table 5: Parallel ARPACK test run, matrix order 3,200

$n = 3,200$. The parallel ARPACK software was then used to compute the eigenvalues and eigenvectors. A residual tolerance of (10^{-8}) was imposed.

Table 5 shows the total time and the number of iterations required to solve this fixed problem with a different number of processors. The number of iterations varied with different processor configurations and this was attributed to different initial random vectors being generated as the number of processors changed. However, the corresponding result eigenvalues and eigenvectors are identical for all of the runs.

The speedup caused by increasing the number of processors can be observed by checking the average run time per iterate for each individual test. The third column in Table 5, demonstrates deteriorated speedup after the number of processors exceeds 32. Column four shows that the reason for this deterioration lies with the inefficient matrix-vector product.

7.4 GENERAL APPLICATIONS OF ARPACK

ARPACK has been used in a variety of challenging applications, and has proven to be useful both in symmetric and nonsymmetric problems. It is of particular interest when there is no opportunity to factor the matrix and employ a “shift and invert” form of spectral transformation,

$$\hat{A} \leftarrow (A - \sigma I)^{-1}. \tag{12}$$

Existing codes often rely upon this transformation to enhance convergence. Extreme eigenvalues $\{\mu\}$ of the matrix \hat{A} are found very rapidly with the Arnoldi/Lanczos process and the corresponding eigenvalues $\{\lambda\}$ of the original matrix A are recovered from the relation $\lambda = 1/\mu + \sigma$. Implementation of this transformation generally requires a matrix factorization. In many important applications this is not possible due to storage requirements and computational costs. The implicit restarting technique used in ARPACK is often successful without this spectral transformation.

One of the most important classes of application arise in computational fluid dynamics. Here the matrices are obtained through discretization of the Navier-Stokes equations. A typical application involves linear stability analysis of steady state solutions. Here one lin-

earizes the nonlinear equation about a steady state and studies the stability of this state through the examination of the spectrum. Usually this amounts to determining if the eigenvalues of the discrete operator lie in the left halfplane. Typically these are parametrically dependent problems and the analysis consists of determining phenomena such as simple bifurcation, Hopf bifurcation (an imaginary complex pair of eigenvalues cross the imaginary axis), turbulence, and vortex shedding as this parameter is varied. ARPACK is well suited to this setting as it is able to track a specified set of eigenvalues while they vary as functions of the parameter. Our software has been used to find the leading eigenvalues in a Couette-Taylor wavy vortex instability problem involving matrices of order 4000. One interesting facet of this application is that the matrices are not available explicitly and are logically dense. The particular discretization provides efficient matrix-vector products through Fourier transform. Details may be found in [13].

Very large symmetric generalized eigenproblems arise in structural analysis. One example that we have worked with at Cray Research through the courtesy of Ford Motor Company involves an automobile engine model constructed from 3D solid elements. Here the interest is in a set of modes to allow solution of a forced frequency response problem $(K - \lambda M)x = f(t)$, where $f(t)$ is a cyclic forcing function which is used to simulate expanding gas loads in the engine cylinder as well as bearing loads from the piston connecting rods. This model has over 250,000 degrees of freedom. The smallest eigenvalues are of interest and the ARPACK code appears to be very competitive with the best commercially available codes on problems of this size. For details see [45].

The Singular Value Decomposition (SVD) may also be computed using ARPACK and the SVD has a many large scale applications. Two SVD applications occur in computational biology. The first of these is the 3-D image reconstruction of biological macromolecules from 2-D projections obtained through electron micrographs. The second is an application to molecular dynamical simulation of the motions of proteins. The SVD may be used to compress the data required to represent the simulation and more importantly to provide an analytical tool to help in understanding the function of the protean. See [35] for further details of the molecular dynamics application. The underlying algorithm for reconstructing 3-D image reconstruction of biological macromolecules from 2-D projections [48] is based upon the statistical technique of principal component analysis [49]. In this algorithm, a singular value decomposition (SVD) of the data set is performed to extract the largest singular vectors which are then used in a classification procedure. Our initial effort has been to replace the existing algorithm for computing the SVD with ARPACK which has increased the speed of the analysis by a factor of 7 on an Iris workstation. The accuracy of the results were also increased dramatically. Details are reported in [15].

Computational chemistry provides a rich source of problems. ARPACK is being used in two applications currently and holds promise for a variety of challenging problems in this area. We are collaborating with researchers at Ohio State on large scale three-dimensional reactive scattering problems. The governing equation is the Schroedinger equation and the computational technique for studying the physical phenomena relies upon repeated eigenanalysis of a Hamiltonian operator consisting of a Laplacian operator discretized in spherical co-ordinates plus a surface potential. The discrete operator has a tensor product

Nprocs	MFLOPS
2	172.50
4	322.03
8	586.29
16	1006.60
32	1412.73

Table 6: Parallel ARPACK on T3D Shared Memory

structure from the discrete Laplacian plus a diagonal matrix from the potential. The resulting matrix has a block structure consisting of $m \times m$ blocks of order n . The diagonal blocks are dense and the off diagonal blocks are scalar multiples of the order n identity matrix. It is virtually impossible to factor this matrix directly because the factors are dense in any ordering. We are using a distributed memory parallel version of ARPACK together with some preconditioning ideas to solve these problems on distributed memory machines. Encouraging computational results have been obtained on Cray Y-MP machines and also on the Intel Delta and the CM-5. The code has recently been ported to the CRAY T3D with very promising results. On a matrix of order 12800 computing the smallest eight eigenvalues using a Chebyshev polynomial preconditioner of degree eight the CRAY YMP executed at a rate of 290.66 Mflops while the T3D using the distributed-shared memory model executed at a peak rate of 1412 Mflops (See Table 6). For details about the method and experimental results, see [20], [45].

Nonsymmetric problems also arise in quantum chemistry. Researchers at University of Washington have used the code to investigate the effects of the electric field on InAs/GaSb and GaAs/Al_xGa_{1-x} as quantum wells. ARPACK was used to find highly accurate solutions to these nonsymmetric problems which couldn't be solved by other means. See [25] for details. Researchers at U. Massachusetts have used ARPACK to solve the eigenvalue problems arising in their FEM quantum well Kp model for strained layer superlattices [4].

A final example of non-symmetric eigenproblems to be discussed here arises in magneto-hydrodynamics (MHD) involving the study of the interaction of a plasma and a magnetic field. The MHD equations describe the macroscopic behavior of the plasma in the magnetic field. These equations form a system of coupled nonlinear PDE. Linear stability analysis of the linearized MHD equations leads to a complex eigenvalue problem. Researchers at the Institute for Plasma Physics and Utrecht University in the Netherlands have modified the codes in ARPACK to work in complex arithmetic and are using the resulting code to obtain very accurate approximations to the eigenvalues lying on the Alfvén curve. The code is not only computes extremely accurate solutions, it does so very efficiently in comparison to other methods that have been tried. See [22] for details.

There are many other applications. It is hoped that the examples that have been briefly discussed here will provide an indication of the versatility of the ARPACK software as well as the wide variety of eigenvalue problems that arise.

8 Conclusions

This paper has attempted to give an overview of the numerical solution of large scale eigenvalue problems. Basic theory and algorithms were introduced to motivate Krylov subspace projection methods. The focus has been on a particular variant, the Implicitly Restarted Arnoldi Method which has been developed into a substantial software package ARPACK.

There are a number of competing methods that have not been discussed here in any detail. Two notable methods that have not been discussed are methods based on the nonsymmetric two-sided Lanczos process and methods based upon subspace iteration. At this point, no single method appears to be viable for all problems. Certainly in the nonsymmetric case there is no “black box” technique and it is questionable that there is one in the symmetric case either. A block method called ABLE based upon two-sided nonsymmetric Lanczos is being developed by Bai, Day and Ye [2]. Software based upon subspace iteration with Chebyshev acceleration has been developed by Duff and Scott [12]. Jennifer Scott has also developed software based upon an explicitly restarted Chebyshev-Arnoldi method [42]. Finally, the Rational Krylov method being developed by Ruhe [36, 37] is very promising for the nonsymmetric problem when a factorization of the matrix is possible.

9 Acknowledgements

The computational results presented in Section 7 are due to Zdenko Tomasic and Dan Hu. I would like to thank Rich Lehoucq for producing Figures 1-3 and for constructive comments and discussions about this work.

Financial support for this work was provided in part by the National Science Foundation cooperative agreement CCR-912008, by ARPA contract number DAAL03-91-C-0047 (administered by the U.S. Army Research Office), and by the National Science Foundation project ASC-9408795.

References

- [1] W.E. Arnoldi, The principle of minimized iterations in the solution of the matrix eigenvalue problem, *Quart. Appl. Math.* **9** , 17–29 (1951) .
- [2] Z. Bai, D. Day and Q. Ye, ABLE: an Adaptive Block Lanczos Method for Non-Hermitian Eigenvalue Problems, *Tech. Rept. 95-04*, U. Kentucky, Lexington (1995).
- [3] Z.Bai and G.W. Stewart, SRRIT - A FORTRAN subroutine to calculate the dominant invariant subspace of a nonsymmetric matrix, *Tech. Rept. 2908*, Dept of Computer Science, U. Maryland (1992).
- [4] A. Baliga, D. Trifedi, N.G. Anderson, Tensile-strain effects in quantum-well and superlattice band structures *Phys. Rev. B* (1994).
- [5] F. Chatelin and D. Ho, Arnoldi-Chebyshev procedure for large scale nonsymmetric matrices, *Math. Modeling and Num. Analysis* , **24**,53–65 (1990).

- [6] J. Cullum, The simultaneous computation of a few of the algebraically largest and smallest eigenvalues of a large, symmetric, sparse matrix, *BIT* **18**, 265–275 (1978).
- [7] J. Cullum and W.E. Donath, A block Lanczos algorithm for computing the q algebraically largest eigenvalues and a corresponding eigenspace for large, sparse symmetric matrices, in *Proc. 1974 IEEE Conference on Decision and Control*, IEEE Press, New York, 505–509 (1974).
- [8] J. Cullum and R.A. Willoughby, Computing eigenvalues of very large symmetric matrices - an implementation of a Lanczos algorithm with no reorthogonalization, *J. Comput. Phys.* **434**, 329–358 (1981).
- [9] J. Daniel, W.B. Gragg, L. Kaufman, G.W. Stewart, Reorthogonalization and stable algorithms for updating the Gram-Schmidt QR factorization, *Math. Comp.*, **30**, 772–795 (1976).
- [10] J.J. Dongarra, J. Du Croz, S. Hammarling, and R.J. Hanson, Algorithm 656 An extended set of fortran basic linear algebra subprograms: Model implementation and test programs, *ACM Trans. Math. Soft.* **14**, 18–32 (1988).
- [11] J.J. Dongarra, I.S. Duff, D.C. Sorensen and H.A. van der Vorst, *Solving Linear Systems on Vector and Shared Memory Computers*, SIAM Publications, Philadelphia (1991).
- [12] I.S. Duff and J Scott, Computing selected eigenvalues of large sparse unsymmetric matrices using subspace iteration, *ACM Transactions on Mathematical Software*, **19**, 137–159 (1993).
- [13] W.S. Edwards, L.S. Tuckerman, R.A. Friesner and D.C. Sorensen, Krylov Methods for the Incompressible Navier-Stokes Equations, *Journal of Computational Physics*, **110**, 82–102 (1994).
- [14] T. Ericsson and A. Ruhe, The spectral transformation Lanczos method for the numerical solution of large sparse generalized symmetric eigenvalue problems, *Math. Comp.* **35**, 1251–1268 (1980).
- [15] L. Feinswog, M. Sherman, W. Chiu, D.C. Sorensen, Improved Computational Methods for 3-Dimensional Image Reconstruction, *CRPC Tech. Rept.*, Rice University (in preparation).
- [16] J.G.F. Francis, The QR transformation: A unitary analogue to the LR transformation, Parts I and II, *Comp. J.* **4**, 265–272, 332–345 (1961).
- [17] G.H. Golub, R. Underwood, and J.H. Wilkinson, The Lanczos algorithm for the symmetric $Ax = \lambda Bx$ problem, *Report STAN-CS-72-270*, Department of Computer Science, Stanford U. Stanford, California ,(1972).
- [18] G.H. Golub and C.F. Van Loan, *Matrix Computations*, The Johns Hopkins University Press, Baltimore, Maryland (1983).

- [19] R.G. Grimes, J.G. Lewis and H.D. Simon, A shifted block Lanczos algorithm for solving sparse symmetric generalized eigenproblems, *SIAM J. Matrix Anal. Appl.* **15**, 228–272 (1994).
- [20] P. Pendergast, Z. Darakjian, E. F. Hayes, D.C. Sorensen, Scalable Algorithms for Three-dimensional Reactive Scattering: Evaluation of a New Algorithm for Obtaining Surface Functions, *J. Comp. Phys.* , **113**,201–214 (1994).
- [21] W. Karush, An iterative method for finding characteristic vectors of a symmetric matrix, *Pacific J. Math.* **1**, 233–248 (1951).
- [22] M.N. Kooper, H.A. van der Vorst, S. Poedts, and J.P. Goedbloed, Application of the Implicitly Updated Arnoldi Method with a Complex Shift and Invert Strategy in MHD, *Tech. Rept., Institute for Plasmaphysics, FOM Rijnhuizen, Nieuwegin, The Netherlands* (Sep. 1993) (submitted to *Journal of Computational Physics*).
- [23] C. Lanczos, An iteration method for the solution of the eigenvalue problem of linear differential and integral operators, *J. Res. Nat. Bur. Stand.* , **45**, 255–282 (1950).
- [24] R.B. Lehoucq, *Analysis and Implementation of an Implicitly Restarted Arnoldi Iteration* Ph.D. Thesis, Rice U. (1995) (Available as *CAAM Tech. Rept. TR95-13*, Rice U., Houston)
- [25] T.L. Li, K.J. Kuhn FEM solution to quantum wells by irreducible formulation *Dept. Elec. Eng. Tech. Rept.* U. Wash. (1993).
- [26] R.B. Lehoucq and D.C. Sorensen, Deflation Techniques for an Implicitly Re-started Arnoldi Iteration, *CAAM-TR 94-13*, Rice U. , Houston (1994).
- [27] R. Lehoucq, D.C. Sorensen, P.A. Vu, ARPACK: Fortran subroutines for solving large scale eigenvalue problems, Release 2.1, available from netlib@ornl.gov in the `scalapack` directory (1994).
- [28] T.A. Manteuffel, Adaptive procedure for estimating parameters for the nonsymmetric Tchebychev iteration, *Numer. Math.* **31**, 183–208 (1978).
- [29] K. Meerbergen and A. Spence, Implicitly restarted Arnoldi with purification for the shift-invert transformation, *Tech. Rept. TW225*, Katholieke Universitet Leuven, Belgium (1995).
- [30] R.B. Morgan, On restarting the Arnoldi method for large scale eigenvalue problems, *Math. of Comp.* (to appear).
- [31] C.C. Paige, *The Computation of Eigenvalues and Eigenvectors of Very Large Sparse Matrices*, Ph.D. thesis, Univ. of London (1971).
- [32] B. Nour-Omid, B.N. Parlett, T. Ericsson, and P.S. Jensen, How to implement the spectral transformation, *Math. of Comp.*, **48**, 663–673 (1987).

- [33] B.N. Parlett and D. S. Scott, The Lanczos algorithm with selective orthogonalization, *Math. Comp.* **33**, 311–328 (1979).
- [34] B.N. Parlett, *The Symmetric Eigenvalue Problem*, Prentice-Hall, Englewood Cliffs, NJ. (1980).
- [35] T.D. Romo, J.B. Clarage, D.C. Sorensen, and G.N. Phillips, Jr., Automatic Identification of Discrete Substates in Proteins: Singular Value Decomposition Analysis of Time Averaged Crystallographic Refinements, *CRPC-TR 94481*, Rice University (Oct. 1994).
- [36] A. Ruhe, Rational Krylov sequence methods for eigenvalue computation, *Linear Algebra Apps.*, **58**, 391–405 (1984).
- [37] A. Ruhe, Rational Krylov sequence methods for eigenvalue computation II, *Linear Algebra Apps.*, **197,198**, 283–295 (1994).
- [38] Y. Saad, Variations on Arnoldi’s method for computing eigenelements of large unsymmetric matrices, *Linear Algebra Apps.*, **34**, 269–295 (1980).
- [39] Y. Saad, Chebyshev acceleration techniques for solving nonsymmetric eigenvalue problems, *Math. Comp.*, **42**, 567–588 (1984).
- [40] Y. Saad, *Numerical Methods for Large Eigenvalue Problems*, Halsted Press-John Wiley & Sons Inc., New York (1992).
- [41] Y. Saad and M. Schultz, GMRES: A generalized minimum residual algorithm for solving nonsymmetric linear systems, *SIAM J. Scientific and Stat. Comp.*, **7**, 856–869 (1986).
- [42] J.A. Scott. An Arnoldi code for computing selected eigenvalues of sparse real unsymmetric matrices, *Tech. Rept. RAL-93-097*, Rutherford Appleton Laboratory (1993).
- [43] H. Simon, Analysis of the symmetric Lanczos algorithm with reorthogonalization methods, *Linear Algebra and Its Applications* **61**, 101–131 (1984).
- [44] D. C. Sorensen, Implicit application of polynomial filters in a k-step Arnoldi method, *SIAM J. Matrix Anal. Appl.*, **13**, pp. 357–385, 1992.
- [45] D.C. Sorensen, P.A. Vu, Z. Tomasic, Algorithms and Software for Large Scale Eigenproblems on High Performance Computers, *High Performance Computing 1993 - Grand Challenges in Computer Simulation*, Adrian Tentner ed., Proceedings 1993 Simulation Multiconference, Society for Computer Simulation, 149–154 (1993).
- [46] G.W. Stewart, *Introduction to Matrix Computations*, Academic Press, New York, 1973.
- [47] W.J. Stewart and A. Jennings, ALGORITHM 570: LOPSI a simultaneous iteratin method for real matrices [F2], *ACM Transactions on Mathematical Software*, **7**, 184–198 (1981).

- [48] M. Van Heel, J. Frank, Use of Multivariate Statistics in Analysing the Images of Biological Macromolecules, *Ultramicroscopy*, **6** 187–194 (1981).
- [49] S. Van Huffel and J. Vandewalle, *The Total Least Squares Problem: Computational Aspects and Analysis*, Frontiers in Applied Mathematics **9**, SIAM Press, Philadelphia (1991).
- [50] H.F. Walker, Implementation of the GMRES method using Householder transformations, *SIAM J. Scientific and Stat. Comp.* **9**,152–163 (1988).
- [51] D.S. Watkins and L. Elsner, Convergence of algorithms of decomposition type for the eigenvalue problem, *Linear Algebra and Its Applications*, **143**, 19–47 (1991).
- [52] J.H. Wilkinson, *The Algebraic Eigenvalue Problem*, Clarendon Press, Oxford, England (1965).